

Receive I.F.

I.F. FILTER

IC1 LA1185

6751 PA-392

FT1 FL048

R.F. FINAL

R.F. DRIVER

Q501 2SC2166C

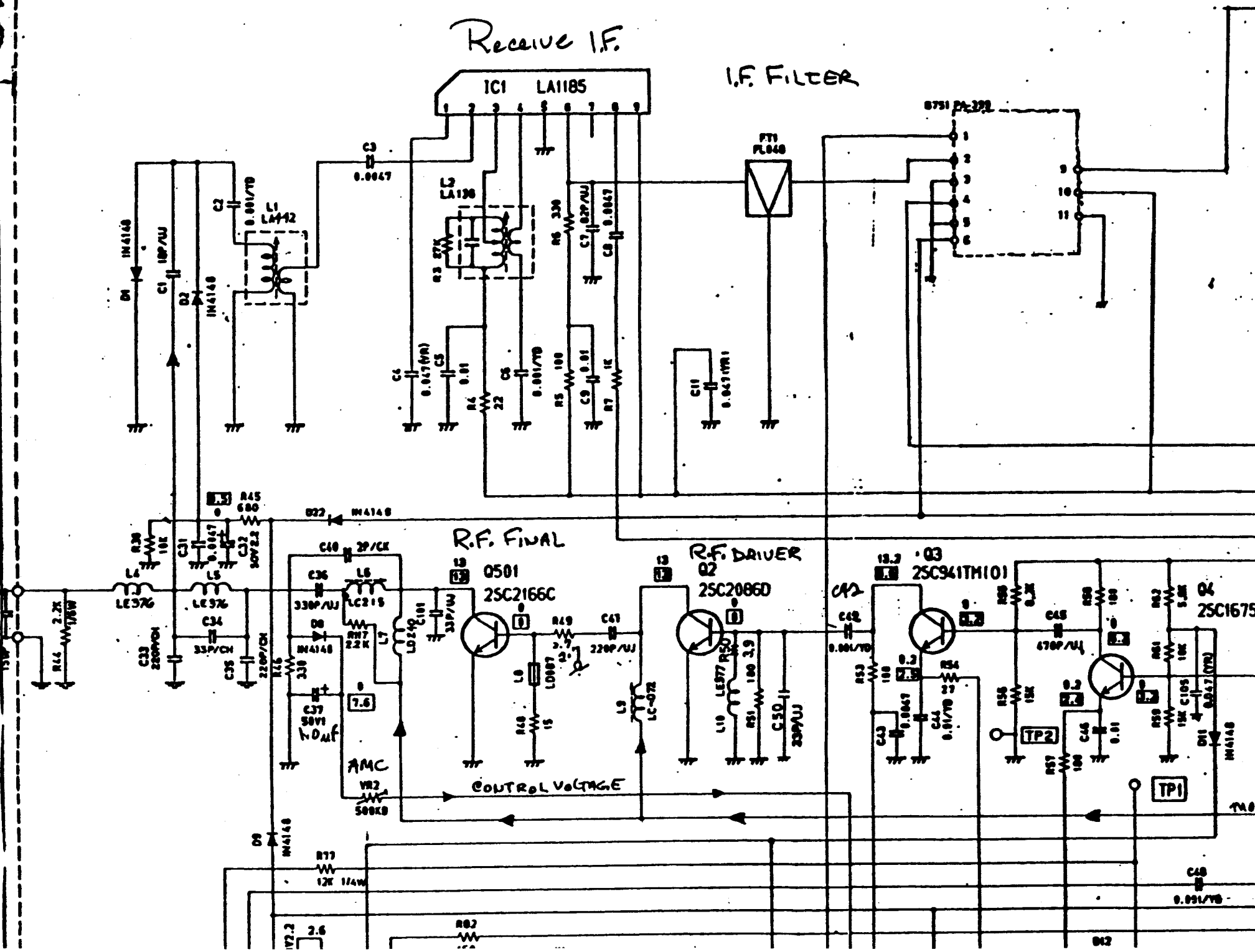
Q2 2SC2086D

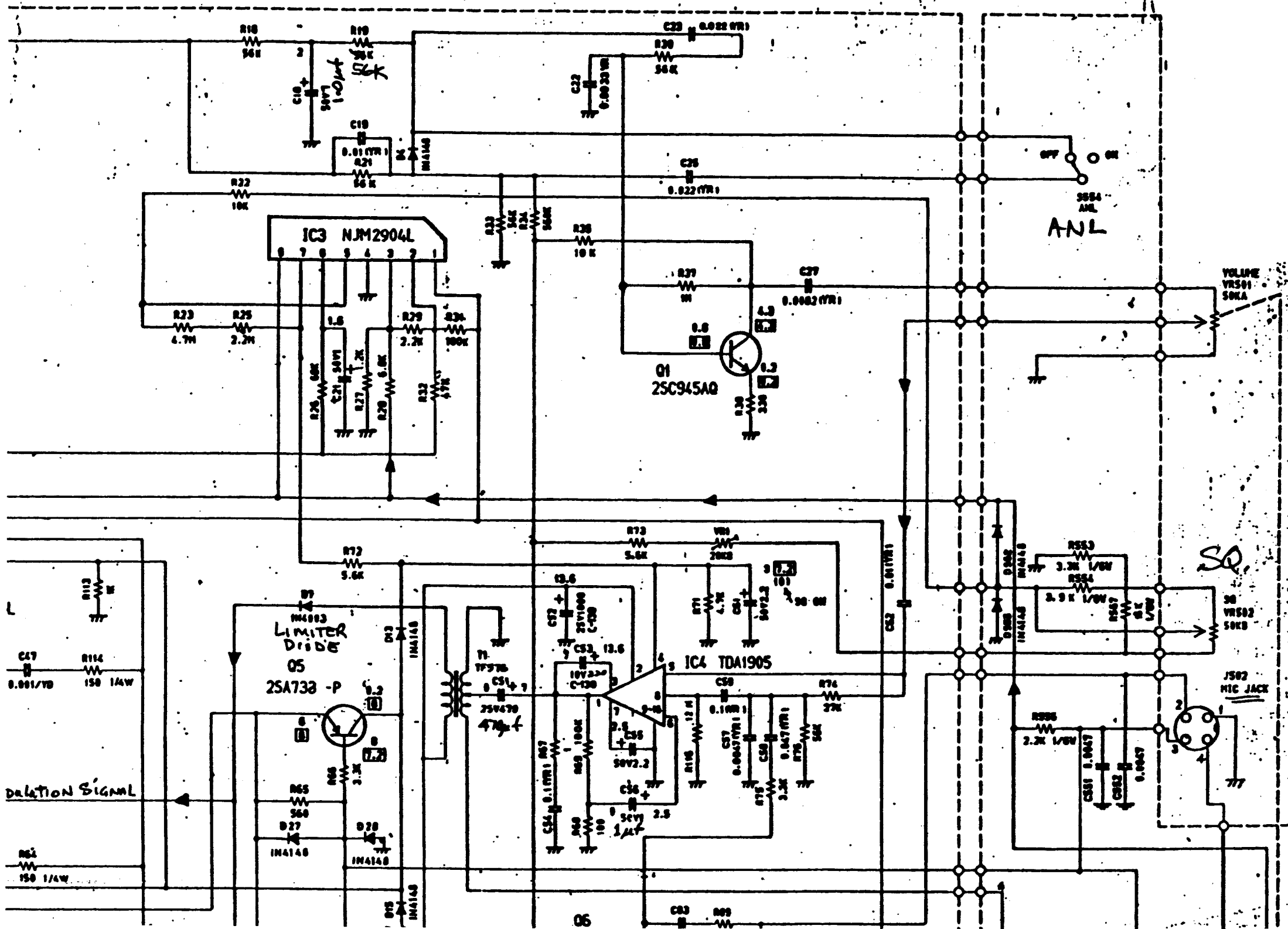
2SC941TH101

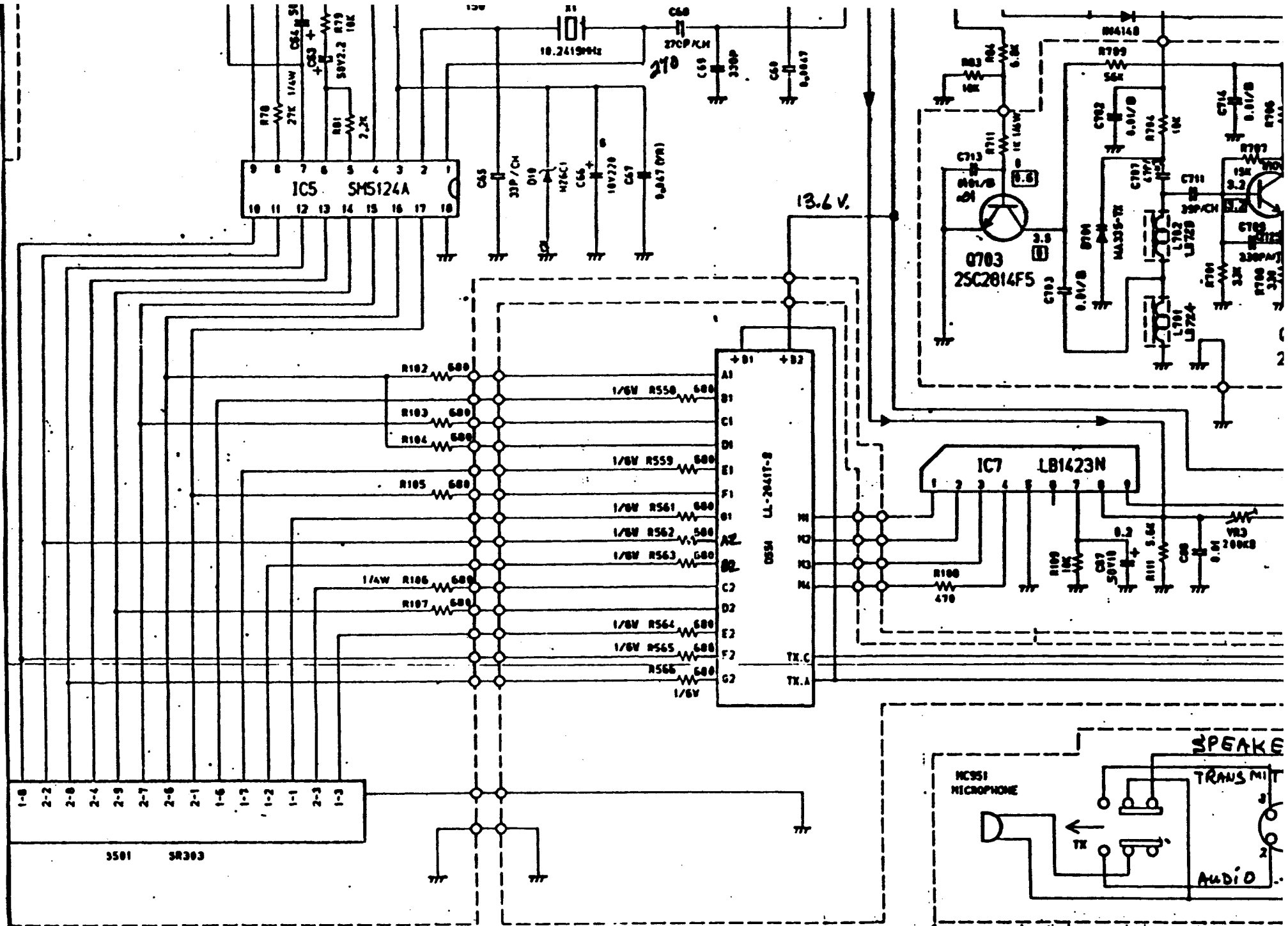
Q3 2SC1675

CONTROL VOLTAGE

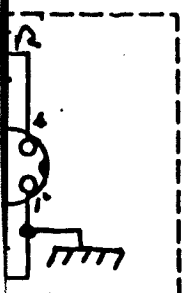
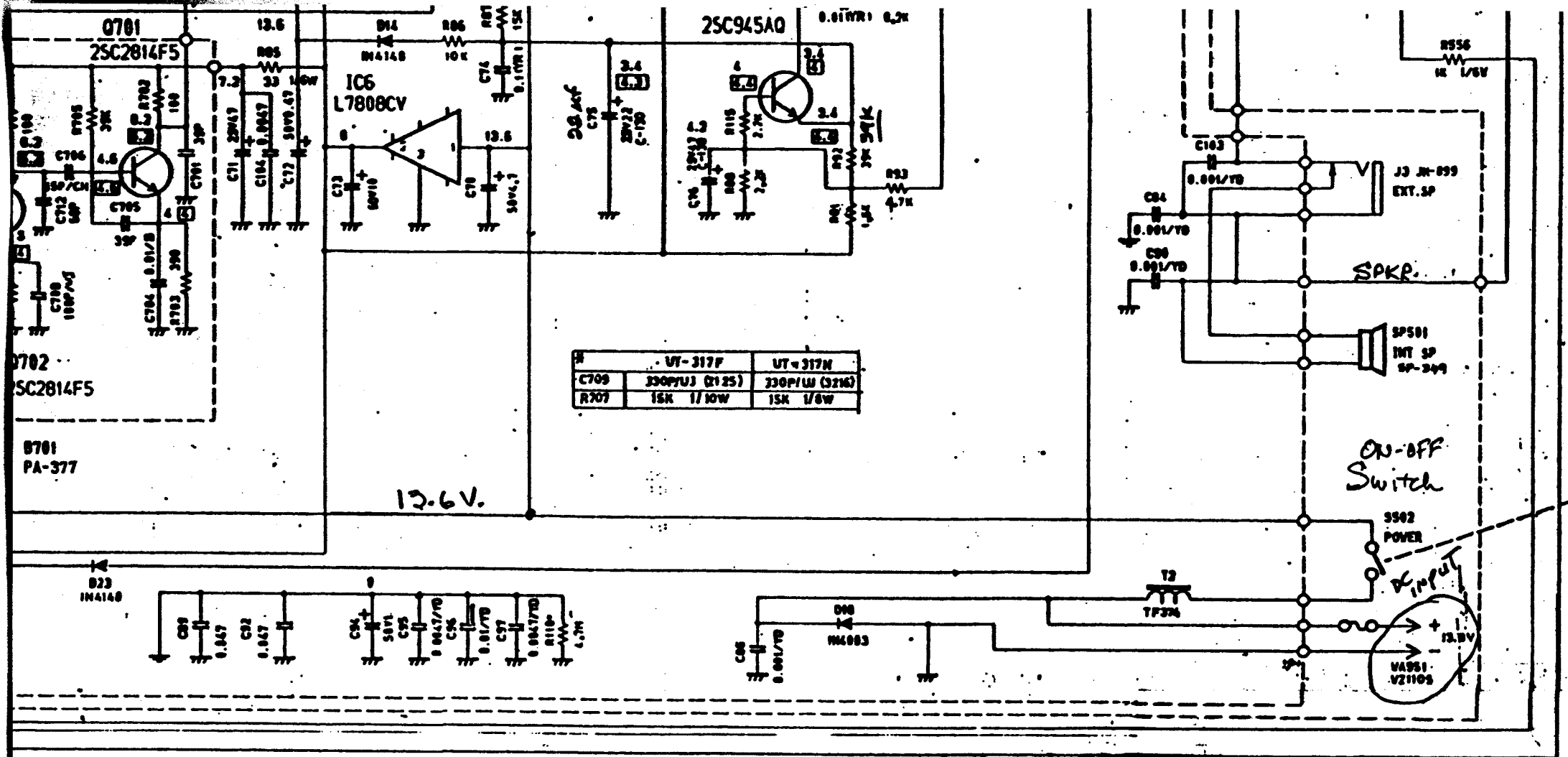
ANTENNA JACK  
150PF







WELD 1 = Ground ABOVE CHASSIS  
 YEL 2 = Audio signal input  
 RED 3 = TRANSMIT  
 BLK 4 = SPEAKER



- NOTES:
1. RESISTANCE VALUES ARE SHOWN IN OHMS UNLESS OTHERWISE NOTED, 1K-KILO OHM, M-MEG OHM
  2. RESISTOR WATTAGES ARE 1/6W UNLESS OTHERWISE NOTED.
  3. CAPACITANCE VALUES ARE INDICATED IN MICRO FARADS UNLESS OTHERWISE NOTED, 1P-MICRO-MICRO FARAD
  4. ALL CAPACITORS TEMPERATURE CHARACTERISTICS ARE SL (LESS THAN 100PF) OR YF (MORE THAN 1000PF) UNLESS OTHERWISE NOTED.
  5. VOLTAGE IN □ SHOWS TX CONDITION.
  6. VOLTAGE IN | | SHOWS RX CONDITION UNDER OPERATION OF EACH FUNCTION.
  7. VOLTAGE IN NO MARK SHOWS RX CONDITION.

MODEL S10XL  
 SCHEMATIC DIAGRAM  
 T1 MODULATION TRANSFORMER  
 IC4 MODULATION OUTPUT  
 CS1 MODULATION COUPLING CAP.  
 ARROW POINTERS INDICATE DIRECTION

Pro S10XL

Clarifications 3/99